

MHL364

TECHNICAL DATA

SERVICE WEIGHT WITHOUT ATTACHMENT

MHL364 F	45–51 t
----------	---------

DIESEL ENGINES

	Stage IV / EPA Tier 4 final	COM III / EPA Tier III
Manufacturer & model	Deutz TCD 7.8 L6 4V	Deutz TCD 2013 L06 2V
Type	6-cylinder inline	6-cylinder inline
Engine control	EMR IV	EMR III
Engine operation	4-stroke diesel, common rail direct injection, turbocharger, controlled exhaust gas recirculation, diesel particulate filter with automatic regeneration and SCR-cat	4-stroke diesel engine, direct common rail fuel-injection, turbocharger with intercooling
Power	190 kW	186 kW
Nominal speed	2000 rpm	2000 min ⁻¹
Displacement	7.8 l	7.2 l
Cooling system	Combi-cooler (coolant/charge air) with fan speed control system; optional reversing function	Combi-cooler (coolant/charge air) with fan speed control system; optional reversing function
Exhaust emission standard	Stage IV / EPA Tier 4 final	COM III / EPA Tier III
Air filtration	Two-stage filter with safety cartridge and pre-separator with discharge valve	Two-stage filter with safety valve
Fuel tank	580 l diesel	580 l diesel
DEF tank	50 l Ad Blue	—

ELECTRICAL SYSTEM

Alternator	28 V / 100 A
Voltage	24 V
Batteries	2 × 12 V / 110 Ah / 750 A
Lights	2 × H3 headlamps, turn indicators and tail lights
Optional	20 kW or 30 kW DC generator with controls and insulation monitoring, driven by V-belt direct from diesel engine

HYDRAULIC SYSTEM

BOSCH-REXROTH mobile hydraulic system with load limit control and fuel-saving power demand control; closed swing circuit; hose rupture valves with regeneration on the lift and stick cylinders for fuel-efficient work

Cooling system	Separated cooler with fan speed control system; optional reversing function
Hydraulic oil filter	Integral return filter in oil tank for work hydraulics, with 3000 operating hrs service interval; oil filtration on closed swing circuit
Max. pump flow	2 × 280 l/min & 1 × 140 l/min (for swing operation)
Max. pressure	320 / 360 bar
Hydraulic tank	653 l usable tank capacity

TRANSMISSION

Hydrostatic drive through infinitely variable axial piston motor with directly mounted travel brake valves, 4-wheel drive

Travel speed	0–20 km/h
Max. traction force	120 kN
Turning radius	6.5 m

SLEWING GEAR

Slewing ring	Internally toothed double-row ball ring gear
Drive	3-stage planetary gear with integrated multi-disc brake
Swing speed	0–6 rpm infinitely variable
Swing brake	Electrically operated
Swing torque	max. 91 kNm

UNDERCARRIAGE

Front axle	Planetary drive axle with integrated drum brake, rigidly mounted, max. steering angle 27°
Rear axle	Planetary drive axle with integrated drum brake, self-aligning bearing with automatic oscillating lock
Stabilization	Support blade with integrated cylinder protection on side of oscillating axle
Tires	Pneumatic tires, 8-fold 14.00-24

BRAKES

Service brake	Hydraulic single-circuit braking system acting on all four wheel pairs
Parking brake	Electro-hydraulically actuated spring-loaded disk brake on the front axle, works on both axles

OPERATOR'S CAB

Cab	Sound-deadened; heat-insulated windows; windshield with pull-down sunblind that slides under the cab roof; viewing window on cab roof; sliding window in cab door, sliding door
Air-conditioning	Automatic air-conditioning. Infinitely variable heating with 8-speed fan, 10 adjustable air nozzles, 3 defroster nozzles (hot water system).
Operator's seat	Air-cushioned comfort-seat with integrated headrest, safety belt and lumbar support, seat heating with integrated A/C function optional. Comfortable operation with multi-purpose adjustment options for seat position, seat inclination, seat cushion placement in relation to armrests and pilot control units. Articulating armrest and joysticks.
Monitoring	Ergonomic layout; anti-glare instrumentation. Multi-function display, automatic monitoring and recording of abnormal operating conditions (including all hydraulic oil filters, hydraulic oil temperature (cold/hot) – coolant temperature and charge air temperature – diesel particulate filter load), visual and audible warning indication with shut-down of pilot controls/engine power reduction. Diagnosis of individual sensors possible via the multifunction display. Rear view camera and side view camera.
Sound levels	LW(A) = 104 dB(A) (guaranteed) in accordance with directive 2000/14/EC

OFFICIAL HOMOLOGATION

Certification in accordance with CE guidelines



EQUIPMENT

ENGINE

	Standard	Option
Exhaust gas turbocharger	●	
Charge air cooling	●	
Direct electronic fuel injection/common rail	●	
Automatic idle	●	
Engine preheating		●
Engine diagnostics interface	●	
System-controlled fan drive with fan speed monitoring	●	

UNDERCARRIAGE

Support blade on side of oscillating axle; integrated cylinder protection	●	
All-wheel drive	●	
Rear axle oscillating lock	●	
Special paint		●
Drum brakes	●	
Toolbox, small	●	
Toolbox, large		●
Access	●	
Fenders	●	
Additional support blade		●

UPPERCARRIAGE

Separate cooling systems (combi-cooler for engine and hydraulic oil cooler)	●	
Cooling system fan speeds controlled by operating parameters	●	
Fan drive reversing function		●
Lockable maintenance hatches, with gas struts	●	
Automatic central lubrication system	●	
Rear view camera	●	
Side view camera	●	
Travel alarm		●
Electric refuelling pump		●
Lighting protection		●
Special paint (customer paint work)		●
Cyclone prefilter		●

CAB

	Standard	Option
3-layer glass with protection film	●	
Sliding window in cab door	●	
Glazed roof panel	●	
Reinforced glass (windscreen and roof panel)		●
Windshield washer system	●	
Roof washer system		●
Air-cushioned operator seat with headrest, seatbelt, and lumbar support	●	
Seat heating with integrated A/C function		●
Joystick steering	●	
Steering column, height and tilt adjustable		●
Automatic air conditioning system	●	
Independent heating system		●
Multi-function display	●	
Document clip	●	
Protective grilles to front and roof		●
12V transformer		●
Radio USB & Bluetooth	●	
12V socket	●	
Fire extinguisher, dry powder		●

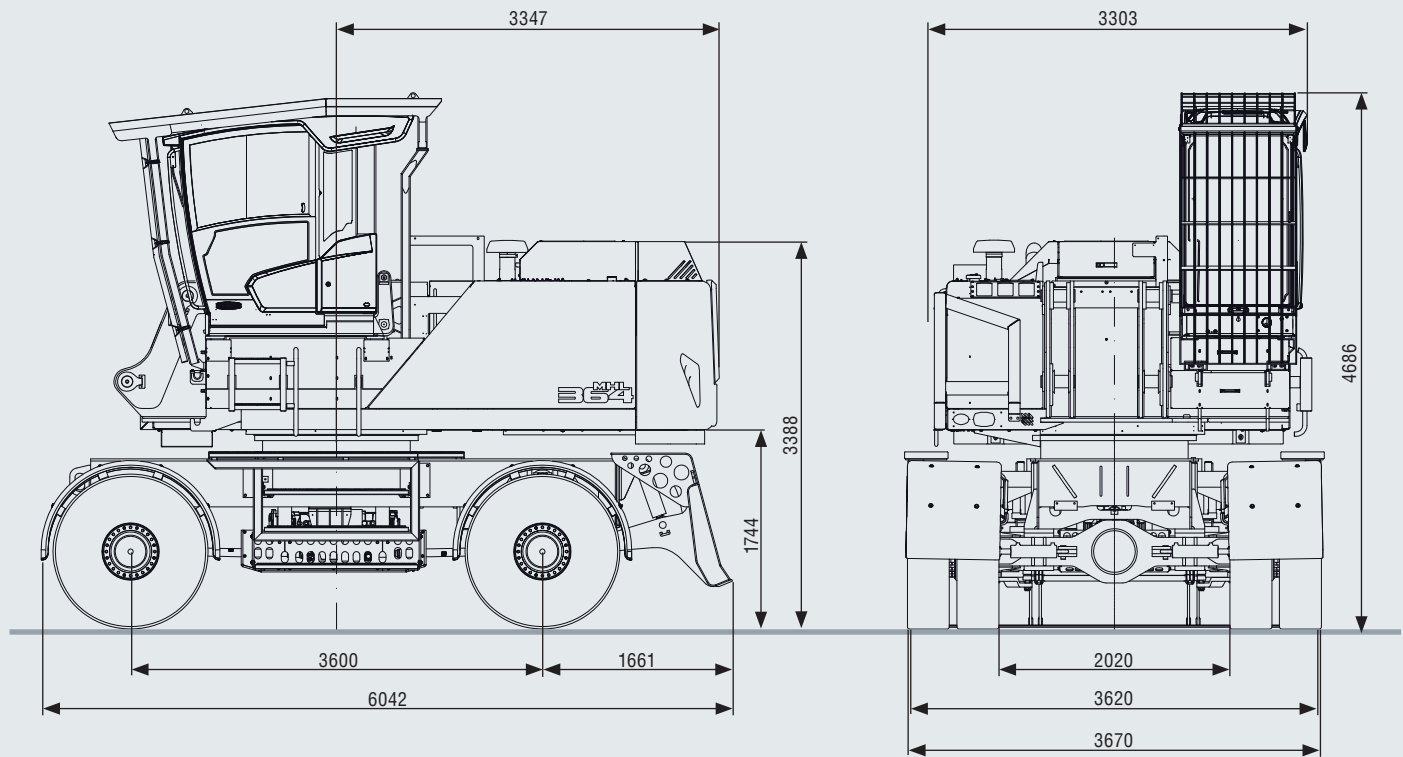
EQUIPMENT

Close proximity range limiter for dipperstick	●	
Coolant and hydraulic oil level monitoring system	●	
Filter system for attachments		●
Hose rupture valve for boom cylinder	●	
Hose rupture valve for stick cylinder	●	
Overload warning device		●
Quick coupling on dipperstick	●	
Dipperstick impact protection		●
Active cyclone prefilter (TOP AIR)		●
Hydraulic oil preheating 230 V		●
Float switch for barge unloading		●
Lubrication of the grab suspension by central lubrication system	●	
LED front headlights	●	
Light packages LED		●
Fuchs Telematics System		●

Further optional equipment available on request!

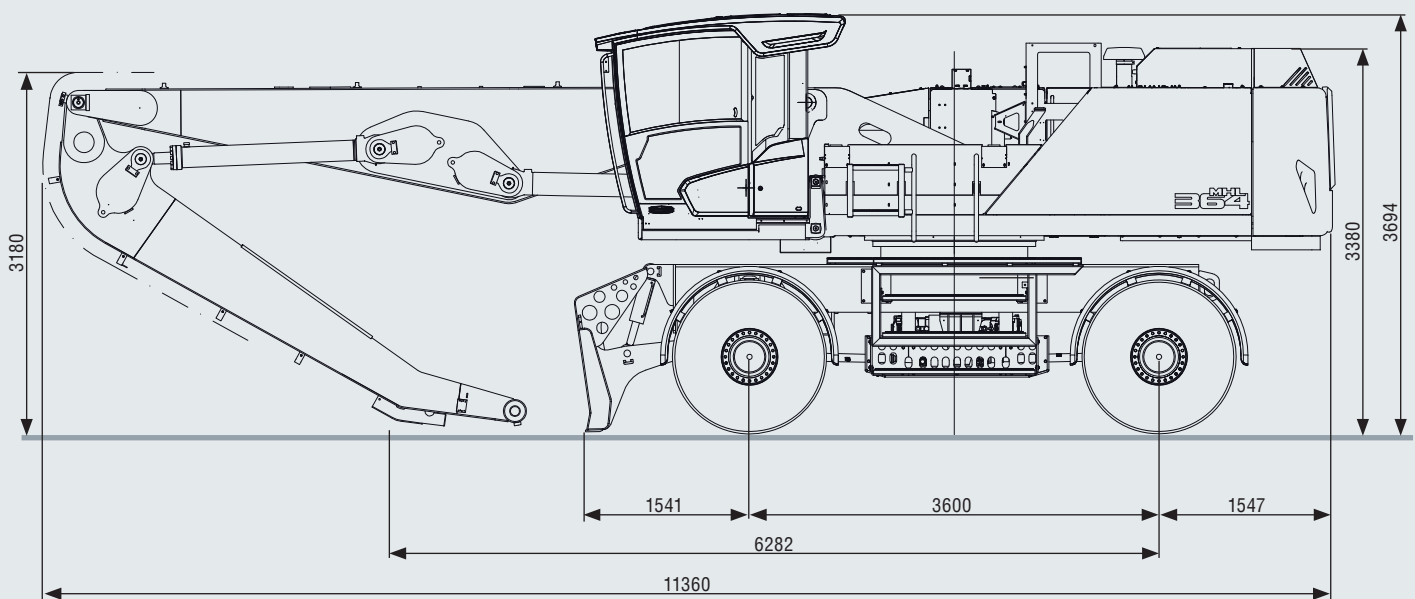
DIMENSIONS MHL364

All dimensions in mm



TRANSPORT DIMENSIONS MHL364

All dimensions in mm





WORKING RANGE MHL364

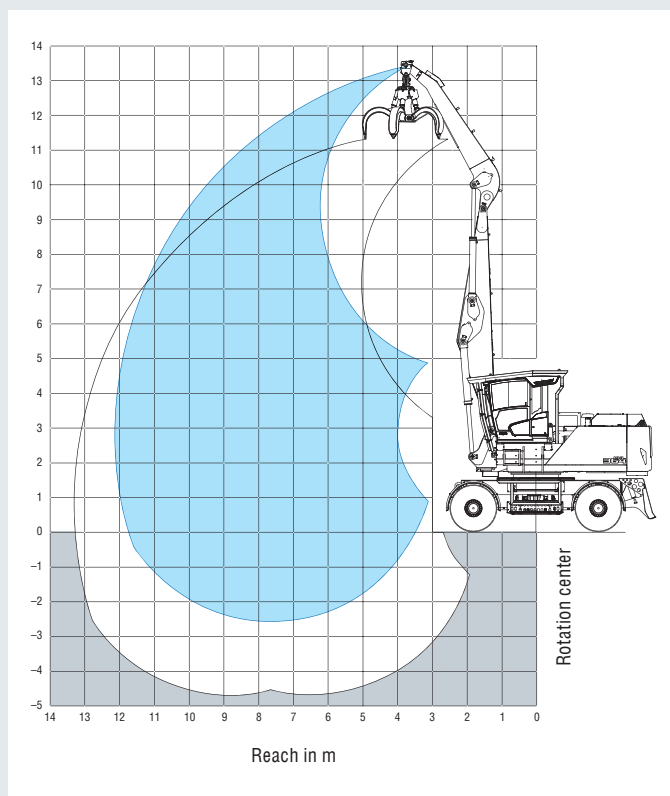
REACH 12.1 M WITH DIPPER STICK

Loading equipment	Boom 6.4 m
	Dipper stick 4.7 m
	Multi-tine grapple

RECOMMENDED ATTACHMENTS

Grab size	2.0–3.2m ²
	Depending on mission requirements

The lift capacity values are stated in metric tons (t). The pump pressure is 360 bar. In accordance with ISO 10567 the lift capacity values represents 75% of the static tipping loads or 87% of the hydraulic lifting force (marked °). On solid and level ground the values apply to a swing range of 360°. The (...) values apply in the longitudinal direction of the undercarriage. The values for "not supported" only apply via the steering axle or the locked oscillating axle. The weights of the attached load hoisting equipment (grab, load hooks, etc.) must be deducted from the lift capacity values. The working load of the lifting device must be observed. In accordance with EU Standard EN 474-5 for object handling applications hose rupture valves on the boom and stick cylinders, an overload warning device and the lift capacity table in the cab are required. For object handling application the machine has to be supported on a level ground.



LIFTING CAPACITY MHL364

Height [m]	Undercarriage outrigger	Reach [m]					
		4,5	6	7,5	9	10,5	12
12	not supported		13,1° (13,1°) (13,1°)**				
10,5	not supported			11,2 (13,1°) (13,1°)**			
9	not supported			11,2 (13,0°) (13,0°)**	8,5 (10,3) (11,3)**		
7,5	not supported		15,4 (15,4°) (15,4°)**	11,1 (13,2°) (13,2°)**	8,4 (10,3) (11,2)**	6,7 (8,1) (8,9)**	
6	not supported		15,1 (16,8°) (16,8°)**	10,8 (13,3) (13,9)**	8,3 (10,1) (11,1)**	6,6 (8,0) (8,8)**	
4,5	not supported	22,1 (26,3) (26,3)**	14,4 (18,1) (18,8)**	10,5 (12,9) (14,1)**	8,1 (9,9) (10,8)**	6,5 (7,9) (8,7)**	
3	not supported	20,3 (22,8) (22,8°)**	13,6 (17,2) (18,9°)**	10,0 (12,5) (13,7°)**	7,8 (9,7) (10,6°)**	6,4 (7,8) (8,6°)**	5,3 (6,5) (7,1°)**
1,5	not supported	10,8 (10,8) (10,8°)**	13,0 (16,6°) (18,2°)**	9,7 (12,1) (13,3°)**	7,6 (9,4) (10,4°)**	6,3 (7,7) (8,5°)**	5,3 (6,4) (7,0°)**
0	not supported	11,4 (11,4) (11,4°)**	12,7 (16,3) (17,9°)**	9,5 (11,9) (13,1°)**	7,5 (9,3) (10,3°)**	6,2 (7,6) (8,4°)**	
-1,5	not supported		12,7 (16,0°) (16,0°)**	9,4 (11,8) (12,6°)**	7,5 (9,3) (9,8°)**	6,2 (6,9) (6,9°)**	
							Max. reach 12,12 m
2,9	not supported						5,2 (6,4) (6,4°)**